

**MAGELLAN HAS AN  
INTEGRATED VISION OF  
AEROSPACE.**



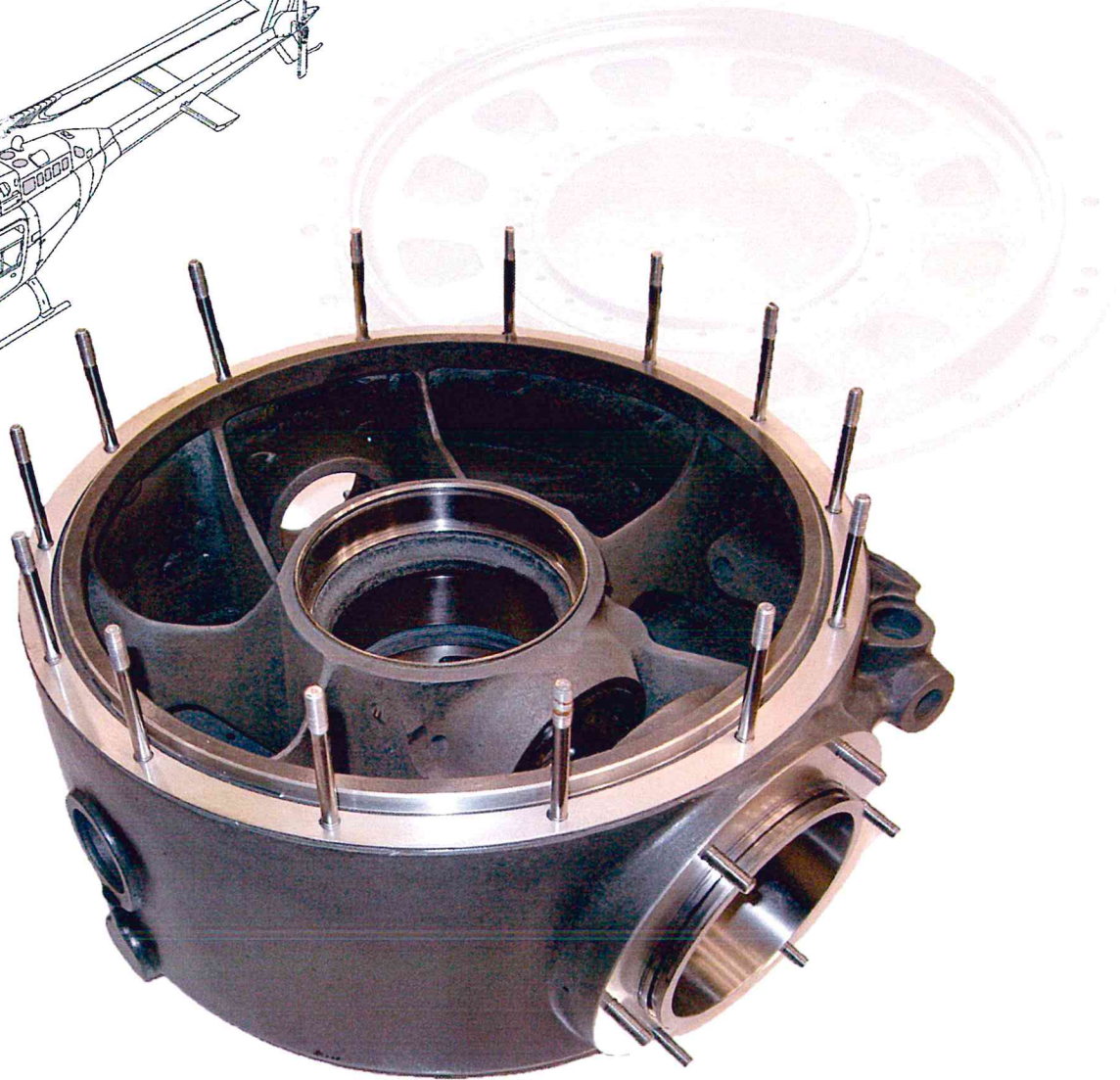
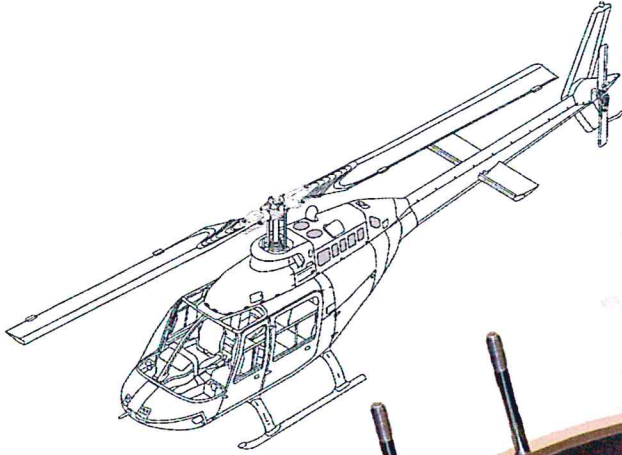
Aeroengines

Aerostructures

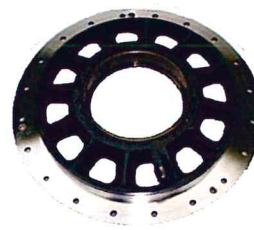
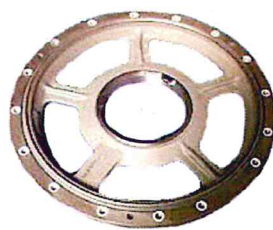
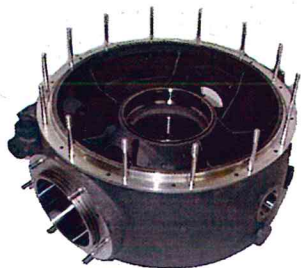
Rockets and Space

Specialty Products

# BELL COMPONENT REPAIR AND OVERHAUL



IMPECCABLE QUALITY • WORLD CLASS TURN TIMES • OUTSTANDING VALUE





## BELL HELICOPTER COMPONENT REPAIR AND OVERHAUL

Magellan Aerospace Turbine Services, LLC (MATS) is an FAA/EASA approved repair and overhaul facility, focused on providing high quality services to operators of small gas turbine engines. Located in Glendale, Arizona, our 27,000 square foot, climate controlled facility is equipped with an extensive array of equipment to support manufacture, repair, and overhaul and is staffed by a team of highly experienced industry experts.

MATS has been supporting Bell Helicopter 204, 205, 206A/B/L, and 212 series engines with component repair and overhaul for more than 15 years.

Leveraging our industry leading repair capabilities and extensive engineering experience, MATS offers customers impeccable quality, world class turn times, and outstanding value. MATS is a subsidiary of Magellan Aerospace, one of the world's leading aerospace companies and delivers an extensive array of services at an unmatched value.



## ABOUT MAGELLAN AEROSPACE

Magellan Aerospace is a global enterprise providing integrated products and services to the aerospace industry worldwide. Magellan designs, engineers, and manufactures aeroengine and aerostructure assemblies and components for aerospace markets, advanced products for military and space markets, and complementary specialty products. Magellan Aerospace is a public company whose shares trade on the Toronto Stock Exchange (TSX: MAL), with operating units throughout Canada, the United States, the United Kingdom, Poland, and India.

For more information contact:

Magellan Aerospace Turbine Services LLC  
5170 W. Bethany Home Rd. • Glendale, Arizona • 85301  
FAA Repair Station O7NR639Y, EASA No. 145.4692, Cage Code No. 3GTY4  
Phone: +1.623.931.0010

Lindsay Stillwell  
Chief of Engineering and Technical Process  
Cell: +1.602.206.2812  
Email: [lindsay.stillwell@magellan.aero](mailto:lindsay.stillwell@magellan.aero)

Printed in Canada